

NR7401

Network Video Recorder

9-CH • PoE • Gateway Supported



VIVOTEK NR7401 network video recorder provides an easy recording solution for VIVOTEK network cameras and allows users to perform real-time monitoring and recording at the same time.

Supporting recording for up to 9 channels in both MPEG-4 and MJPEG formats, NR7401 provides several recording options, including alarm recording, scheduled recording, and manual recording. Installation is made easy because NR7401 can automatically detect and install VIVOTEK cameras without any configuration. Furthermore, NR7401 has four 802.3af compliant PoE (Power over Ethernet) ports that reduce cabling problems.

NR7401 offers a user-friendly interface where users can configure network settings as well as control camera movement. By installing a large-volume SATA hard disk (up to 1 TB) in NR7401, users can record high-definition video streams from mega-pixel cameras for a long period without worrying about running out of storage capacity. NR7401 comes with a built-in gateway that separates network cameras from regular data network so the influence of video recording on bandwidth is minimized.

NR7401 also has four digital input and one digital out interfaces to allow for connection with external sensors and alarms. In addition, NR7401 offers an USB port, which can be used to connect with external storage devices for video backup.

Features

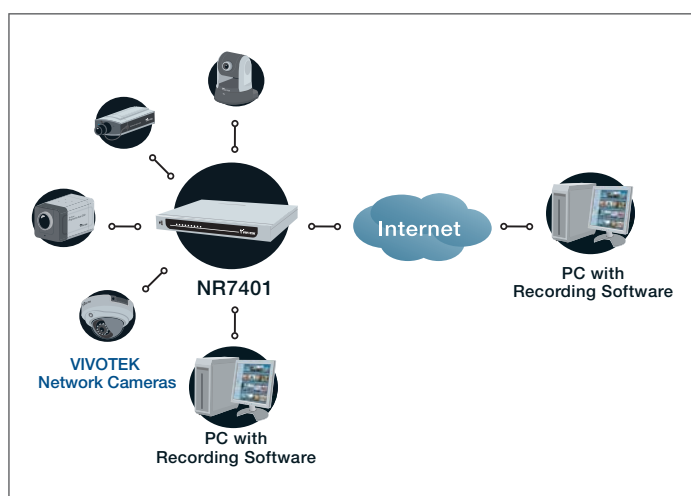
- > 9-channel Simultaneous Monitoring and Recording
- > Gateway Between VIVOTEK Network Cameras and Data Network
- > Supports VIVOTEK 6000- and 7000-series Network Cameras
- > Built-in 802.3af Compliant PoE
- > Local Video Recording with Minimal Bandwidth Impact
- > Camera Management with Automatic Camera Installation and Configuration
- > Video Proxy Server for Live and Recorded Video
- > External USB Storage for Video Backup

Specifications

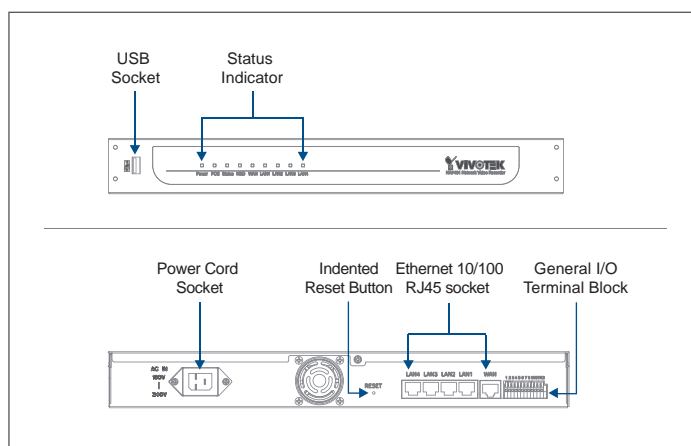
System	<ul style="list-style-type: none"> · CPU: Intel IXP425ABD · Flash: 16MB · RAM: 128MB · Embedded OS: Linux
Video Channels	<ul style="list-style-type: none"> · Supports up to 9 channels
Hard Disk	<ul style="list-style-type: none"> · Supports SATA hard disk up to 1TB
Compatibility	<ul style="list-style-type: none"> · Supports VIVOTEK 6000- and 7000-series network cameras
Video Recording	<ul style="list-style-type: none"> · MJPEG and MPEG-4
Recording Throughput	<ul style="list-style-type: none"> · Total 12Mbps
Recording Policy	<ul style="list-style-type: none"> · Alarm recording · Scheduled recording · Manual recording
Connectors	<ul style="list-style-type: none"> · 5 x Ethernet 10/100 BaseT, RJ45 (1 WAN and 4 LAN ports) · USB socket for backup · Terminal block: 4 digital input, 1 relay output, and 1 poweroutput with 12V max. 1A
Camera Management	<ul style="list-style-type: none"> · Auto or manual installation for VIVOTEK cameras · Video and network configuration through NR7401
Pan/Tilt/Zoom Control	<ul style="list-style-type: none"> · Pan/tilt/zoom control of VIVOTEK cameras
History Playback	<ul style="list-style-type: none"> · Playback of recorded media with time navigations
Networking	<ul style="list-style-type: none"> · Protocols: IPv4, TCP/IP, HTTP, RTSP/ RTP/RTCP, IGMP,SMTP, FTP, DHCP, NTP, DNS, DDNS
Alarm and Event Management	<ul style="list-style-type: none"> · Four D/I and one D/O for external sensor and alarm · Event notification using SMTP
Security	<ul style="list-style-type: none"> · Multi-level user access with password protection · IP address filtering
Users	<ul style="list-style-type: none"> · Camera live and playback viewing for up to 10 clients
Dimension	<ul style="list-style-type: none"> · 360 mm (W) x 280 mm (D) x 43.8 mm (H)
Weight	<ul style="list-style-type: none"> · Net: 3100 g (without HDD)
LED indicator	<ul style="list-style-type: none"> · System power, PoE ,status and hard disk indicators · Network link indicators

Power	<ul style="list-style-type: none"> · 100 ~ 240V AC · Consumption: Max 21W without PoE camera Max 35W with 4 PoE cameras · 802.3af compliant Power over Ethernet
Approvals	<ul style="list-style-type: none"> · CE, FCC, C-Tick, VCCI, UL, CB
Operating Environments	<ul style="list-style-type: none"> · Temperature: 0 ~ 50 °C (32 ~ 122 °F) · Humidity: 20% ~ 80% RH
Viewing System Requirements	<ul style="list-style-type: none"> · OS: Microsoft Windows 2000/XP/Vista · Browser: Internet Explorer 6.x or above
Installation, Management, and Maintenance	<ul style="list-style-type: none"> · Installation Wizard 2 · Supports firmware upgrade
Warranty	<ul style="list-style-type: none"> · 24 months

System Overview



External View



All specifications are subject to change without notice. Copyright©2009 VIVOTEK INC. All rights reserved.

Distributed by:

Taching Electronic Snd. Bhd.
 2-68A (2nd Flr) & 4-16 (4th Flr), Plaza LowYat, Off Jalan Bukit Bintang,
 55100 Kuala Lumpur, Malaysia
 Tel:+603-2711 7112
 Fax: +603-2148 9110
 Email: info@pocketnetcam.com