

IP7133/7134

Fixed Network Camera

Dual Codec • Dual Streams • 3GPP



VIVOTEK IP7133 (Wired) / IP7134 (Wireless) is an easy-to-use network camera, specifically designed for home security applications with a compact, stylish exterior. Apart from its ultra-compact size, it is incorporated with a good many advanced features to fit your needs.

Embedded with the VIVOTEK VVTK-1000 SoC, it enables simultaneous delivery of dual streams in MPEG-4 and MJPEG with different video resolution and quality upon different devices such as PC or 3G cell phones. With this network camera, you can quickly, easily access it to view the current status of your children, the elderly, or even your pets with live, clear videos while you're away from home. IP7134 also supports built-in 802.11b/g WLAN capability, which can prevent your elegant home decoration from tangled cabling. Additionally, it comes with a push button on the front side for privacy use. You are able to manually stop the operation of video monitoring with ease while getting back home. This considerate design avoids the feeling of being monitored all day long.

With the delicate design and versatile functions, VIVOTEK IP7133/IP7134 is definitely the best choice for the fundamental establishment of home security.

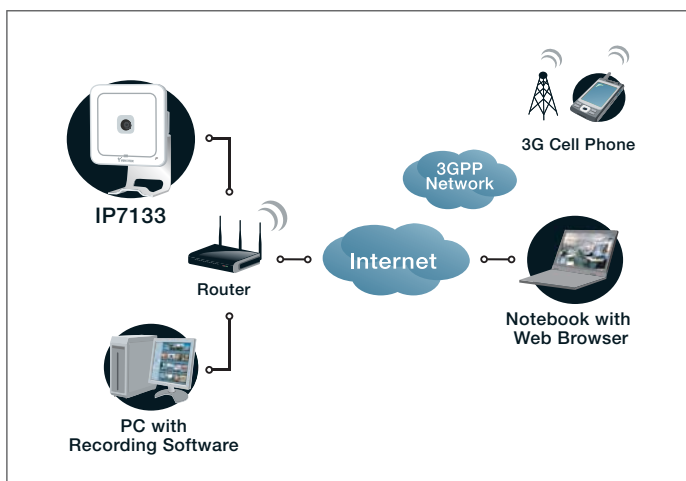
Features

- > Real-time MPEG-4 and MJPEG Compression (Dual Codec)
- > Supports Dual Streams Simultaneously
- > 3GPP Mobile Surveillance
- > Built-in 802.11b/g WLAN (IP7134)
- > Digital I/O for External Sensor and Alarm
- > Privacy Button to Pause Monitoring
- > Easy to Install with VIVOTEK Installation Wizard 2
- > Stylish Design for Home Decoration

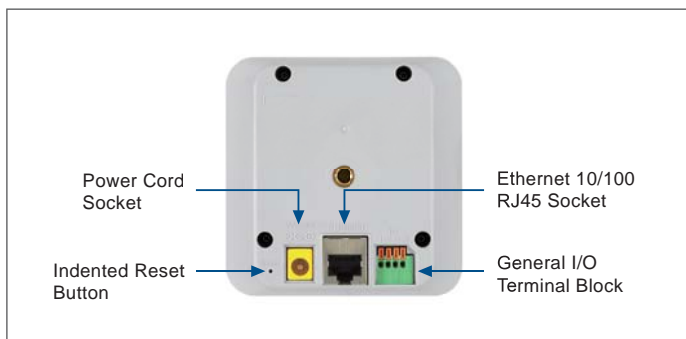
Models	<ul style="list-style-type: none"> · IP7133 (Wired) · IP7134 (WLAN)
System	<ul style="list-style-type: none"> · CPU: VVTK-1000 SoC · Flash: 4MB · RAM: 32MB · Embedded OS: Linux 2.4
Lens	<ul style="list-style-type: none"> · Board lens, f = 4.09 mm, F2.0, Fixed, focus range: 70 cm to infinity
Angle of View	<ul style="list-style-type: none"> · 49.6° (horizontal) · 38.2° (vertical)
Shutter Time	<ul style="list-style-type: none"> · 1/5 sec. to 1/15000 sec.
Image Sensor	<ul style="list-style-type: none"> · 1/4" CMOS sensor in VGA resolution
Minimum Illumination	<ul style="list-style-type: none"> · 0.4 Lux / F2.0
Video	<ul style="list-style-type: none"> · Compression: MJPEG & MPEG-4 · Streaming: Simultaneous dual-streaming MPEG-4 streaming over UDP, TCP, or HTTP · MPEG-4 multicast streaming · MJPEG streaming over HTTP · Supports 3GPP mobile surveillance · Frame rates: MPEG-4: Up to 30/25 fps at 640x480 MJPEG: Up to 30/25 fps at 640x480
Image Settings	<ul style="list-style-type: none"> · Adjustable image size, quality, and bit rate · Time stamp and text caption overlay · Flip & mirror · Configurable brightness, contrast, saturation, sharpness, and white balance · AGC, AWB, AEC (Automatic Exposure Control) · Supports privacy masks
Audio	<ul style="list-style-type: none"> · Compression: GSM-AMR speech encoding, bit rate: 4.75 kbps to 12.2 kbps · MPEG-4 AAC audio encoding, bit rate: 16 kbps to 128 kbps · Interface: Built-in microphone · Supports audio mute
Networking	<ul style="list-style-type: none"> · 10/100 Mbps Ethernet, RJ-45 · Built-in 802.11b/g WLAN (IP7134) · Protocols: IPv4, TCP/IP, HTTP, UPnP, RTSP/ RTP/RTCP, IGMP, SMTP, FTP, DHCP, NTP, DNS, DDNS, and PPPoE
Alarm and Event Management	<ul style="list-style-type: none"> · Triple-window video for motion detection · One D/I and one D/O for external sensor and alarm · Event notification using HTTP, SMTP, or FTP · Local recording of MP4 file
Security	<ul style="list-style-type: none"> · Multi-level user access with password protection · IP address filtering · Wireless: WEP, WPA-PSK, WPA2 (IP7134)
Users	<ul style="list-style-type: none"> · Camera live viewing for up to 10 clients
Dimension	<ul style="list-style-type: none"> · 26.9 mm (D) x 86.7 mm (W) x 87.6 mm (H)
Weight	<ul style="list-style-type: none"> · Net: 106 g (IP7133) · Net: 122 g (IP7134)

LED Indicator	<ul style="list-style-type: none"> · System power and status indicator · System activity and network link indicator · Privacy button on
Power	<ul style="list-style-type: none"> · 5V DC · Power consumption: Max. 5 W (IP7133) Max. 6.6 W (IP7134)
Approvals	<ul style="list-style-type: none"> · CE, LVD, FCC, VCCI
Operating Environments	<ul style="list-style-type: none"> · Temperature: 0 ~ 40 °C · Humidity: 20% ~ 80% RH
Viewing System Requirements	<ul style="list-style-type: none"> · OS: Microsoft Windows 2000/XP/Vista · Browser: Internet Explorer 6.x or above · Cell phone: 3GPP player · Real Player: 10.5 or above · Quick Time: 6.5 or above
Installation, Management, and Maintenance	<ul style="list-style-type: none"> · Installation Wizard 2 · 16-CH recording software · Supports firmware upgrade
Applications	<ul style="list-style-type: none"> · SDK available for application development and system integration
Warranty	<ul style="list-style-type: none"> · 12 months

System overview



External View



All specifications are subject to change without notice. Copyright©2009 VIVOTEK INC. All rights reserved.

Distributed by:



Taching Electronic Snd. Bhd.

2-68A (2nd Flr) & 4-16 (4th Flr), Plaza LowYat, Off Jalan Bukit Bintang, 55100 Kuala Lumpur, Malaysia

Tel: +603-2711 7112

Fax: +603-2148 9110

Email: info@pocketnetcam.com